



Submersible motor OPTIMIX ECO 75-1450 mobile



Powerfull
Flexible application
High efficiency

Application

For closed tanks up to 3.5 m depth
Dry matter content up to 10 %
Substrate temperature up to 55°C
pH-value 6.5 - 8.2

Motor

Motor power: 7,5 kW
400 V, 50 Hz, special tensions on request
Protection class IP 68, up to 10 m submergence
PTC thermistors 130 °C for thermal protection
High power factor $\cos \phi$ 0,81
Separat oil chamber, turbine oil

Bearing

Bearing flange with mechanical seal of SiC/SiC
2 tapered roller bearings to absorb to axial forces
Bearing flange with separat oil chamber
Longlife gear oil
Oil change interval after 4,000 operating hours

Control box

Star-delta-switch

Propeller

2-blades
Optimix ECO | 7,5 kW | L3 (300 mm) | 1.450 rpm
Standard is galvanized, optional ss304

Trolley

Narrow (570 mm width)
Optional telescopic version for limited roof height
(up to max. 2.750 mm)

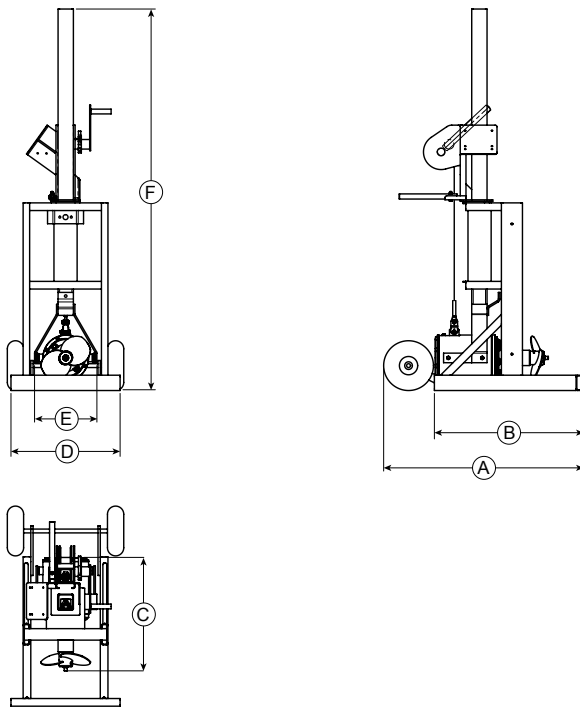
Corrosion protection

Agitator has an two component epoxy coating

Cable

Pressed cable gland,
Cable 7 x 4 + 2 x 1,5 mm², Ø 20 mm,
Resistant against biomass
Strain relief 800 N

Submersible motor OPTIMIX ECO 75-1450 mobile



Dimensions										
Type	A [mm]	B [mm]	C [mm]	D [mm]	E [mm]	F [mm]				
ECO 75-1450	1.045	780	591	570	326	max. 2.750				

Technical data											
Type	Rated Power [kW]	Rated Voltage [V]	Rated Current [A]	Frequency [Hz]	Power factor cos φ	Propeller speed [U/min]	Propeller diameter [mm]	Axial force [N]	Flow velocity [m/s] *	Pumping rate Water [m ³ /min]	Weight approximate [kg]
ECO 75-1450	7.5	400	15.4	50	0.81	1.450	300	1.15	5.7	23	195

Subject to technical changes

* measured in water and 1.2 m distance