

MAHLE

Industry

High flow cartridge housing

HFH

1. Introduction

The HFH High Flow single and multiple cartridge filter housings have been designed specifically with high throughputs in mind whilst occupying a small “footprint” area. These housings can be used in both the horizontal and vertical orientation depending on the availability of space. The standard model is horizontal. The in-line horizontally mounted housing minimises pressure drop and is also more accessible.

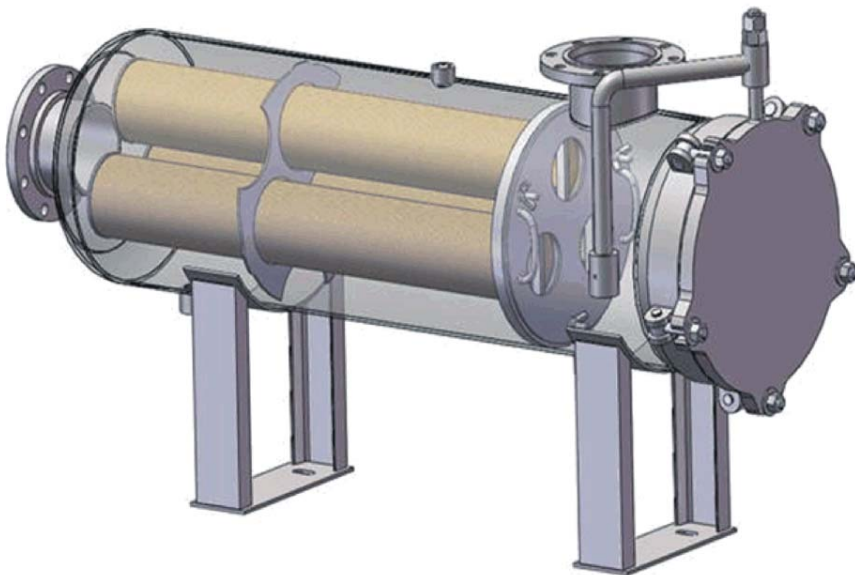


2. Features

- Single and multi cartridge housing available
- Designed specifically to complement the amaGuard HF-PP cartridge
- The filters are available in stainless steel 304 or 316
- All components are stainless steel
- Eyebolt design option allows for quick and easy change-out
- The cover is opened using a davit arm as a standard construction
- Fewer filter elements to change-out
- Inside to outside flow minimises the possibility of contamination during cartridge change-out
- Guide tubes included for multi cartridge housings
- Different housing specifications possible
- O-ring sealing: standard in EPDM. Viton®, PTFE encapsulated Viton® and silicone available on request
- The housings are equipped with legs

3. Standard specifications

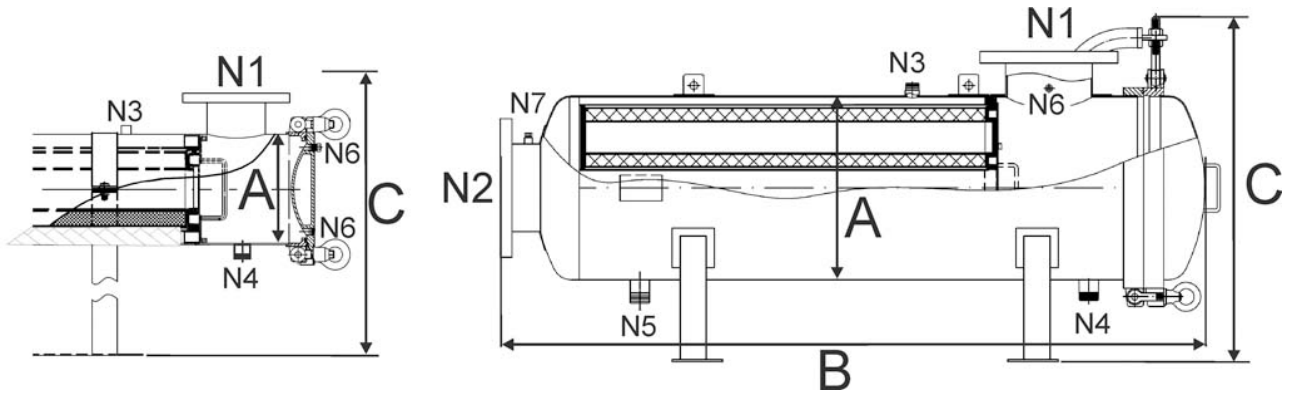
Design pressure	: 10 bar(g)
Design temperature	: 90 °C
Operating temperature	: depending on the filter media and gaskets used
Design	: ASME
Approval	: PED 97/23/EC article 3, paragraph 3 (other codes on request)
Maximum differential operating pressure	: 2.1 bar



4. Dimensions

Nozzle specification HF1		
N1 :	Inlet	
N2 :	Outlet	
N3 :	Vent	1/4"
N4 :	Dirt drain	3/4"
N5 :	Clean drain	3/4"
N6 (2x) :	Pressure gauge (dirt side)	1/4"

Nozzle specification HFH2-HFH19		
N1 :	Inlet	
N2 :	Outlet	
N3 :	Vent	1"
N4 :	Dirt drain	1.5"
N5 :	Clean drain	1.5"
N6 :	Pressure gauge (dirt side)	1/4"
N7 :	Pressure gauge (clean side)	1/4"



HFH1

HFH2-HFH19

Space required for changing cartridges is length B plus cartridge length. Dimensions are for reference only. Use dimensional drawing for installation purposes.

Subject to technical alteration without prior notice.

	Dimensions [mm]				
	A Diameter	B Length	C Height	N1 Inlet	N2 Outlet
HFH1	216	1460	688	DN100	DN100
HFH2	406	1676	797	DN150	DN150
HFH3	456	1751	852	DN200	DN200
HFH4	508	1790	898	DN200	DN200
HFH5	558	1870	951	DN250	DN250
HFH7	610	1951	1001	DN300	DN300
HFH9	710	2064	1101	DN350	DN350
HFH12	812	2171	1207	DN400	DN400
HFH15	916	2285	1357	DN450	DN450
HFH17	966	2293	1409	DN450	DN450
HFH19	1016	2376	1459	DN500	DN500

5. Ordering code

Example

	<i>HFH</i>	7	6	A	12F
Type					
HFH					
Number of cartridges					
1, 2, 3, 4, 5, 7, 9, 12, 15, 17, 19					
Length of cartridges					
2 = 20" (HFH1)					
4 = 40" (HFH1-9)					
6 = 60"					
Material					
A = stainless steel 304					
S = stainless steel 316					
Inlet/outlet flanges					
4F = DN100 (HFH1)	14F = DN350 (HFH9)				
6F = DN150 (HFH2)	16F = DN400 (HFH12)				
8F = DN200 (HFH3, 4)	18F = DN450 (HFH15, 17)				
10F = DN250 (HFH5)	20F = DN500 (HFH19)				
12F = DN300 (HFH7)					

MAHLE Industrial Filtration (Benelux) B.V.
P.O.Box 396 1800 AJ
NL - Alkmaar
Phone +31 72 5273400
Fax +31 72 5125207
industrialfiltration@nl.mahle.com
www.mahle-industrialfiltration.com
03/2013