

Plastic single bag filter housing S-AF1

In specific applications a plastic bag filter housing is preferable to a metal filter housing. amafilter – LFC Lochem (Filtration Group Process Systems) has for these applications the solution with our S-AF1. This is a polypropylene single filter bag housing.

Bag filters are being used in the filtration of liquids containing higher concentrations of coarse solids, handling batches of (various) liquids and as end-filtration or polishing of liquids with minor concentrations of solids.

Features

- Fluid does not come into contact with metal parts
- Suitable for standard filter bags
- Easy to use, smooth surface for cleanability
- Quick replacement of filter bags without additional tools
- The S-AF1 filter housing can be operated with all liquids belonging to PED fluid group 2 (article 3) if vapor pressure of 0.5 bar(g) is not exceeded

Filter bags

Filtration Group supplies a wide range of filter bags in different materials, pore sizes, dimensions and models to fit in our housings as well as those of other manufacturers. For detailed information about amaFlow filter bags, please visit our website www.ama-lfc.com.



Typical application

- Filtration of seawater
- Filtration of chemicals

Standard Specification

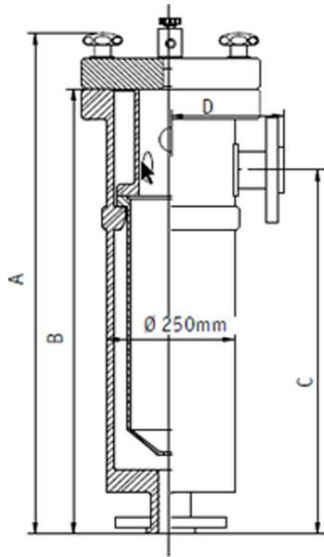
- PED 2014/68/EU: article 4 paragraph 3
- Maximum vapor pressure: < 0.5 bar(g)
- Maximum (operating) temperature: 90 °C at 1 bar
- Maximum (operating) pressure: 6 bar at 30 °C
- Filter housing material: polypropylene
- Available for size 1 and size 2 filter bags
- Closing bolts material: Plastic-covered metal bolts (1.4571)
- Vent valve: DN10
- O-ring material: standard FPM

Customized requirements

We understand that our customer's facing complex processes and environmental requirements. There where a standard filter housing could not be sufficient, our engineers are able to design a custom made filtration solution.

For further information please contact us at www.ama-lfc.com

→ www.ama-lfc.com



Ordering information

Example: 1 2 3 4
 S-AF1-180P-2F

- 1 Type** = S-AF1
- 2 Dimensions**
90 = size 1
180 = size 2
- 3 Material**
P = polypropylene
- 4 Inlet/outlet**
2 = 2" BSPP
2F = DN50 acc. EN1092/PN16

Dimensions*

Size 01	A [mm]	B [mm]	C [mm]	D [mm]
Threaded style	747	657	542	182
Flange style	785	695	580	220
Size 02	A [mm]	B [mm]	C [mm]	D [mm]
Screw-in DN50	1092	1002	889	182
Loose Flange DN50	1130	1040	927	220

* Dimensions are for reference only. Use dimensional drawing for installation purposes. Subject to technical alteration without prior notice.

© 2018 Filtration Group BV. All rights reserved. All trademarks and registered trademarks are the property of their respective owners. All information and recommendations appearing in this document concerning the use of products described herein are based on tests believed to be reliable. However, it is the user's responsibility to determine the suitability for his own use of such products. Since the actual use by others is beyond our control, no guarantee, expressed or implied, is made by Filtration Group BV as to the effects of such use or the results to be obtained. Filtration Group BV assumes no liability arising out of the use by others of such products. Nor is the information herein to be construed as absolutely complete, since additional information may be necessary or desirable when particular or exceptional conditions or circumstances exist or because of applicable laws or government regulations.

SBR20181024